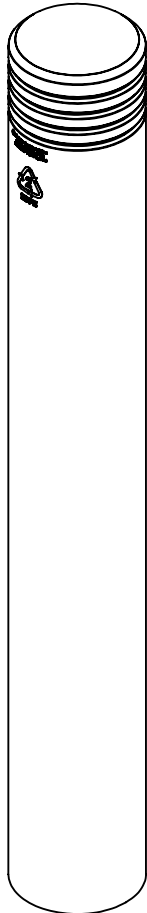


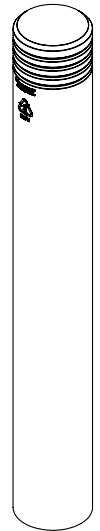
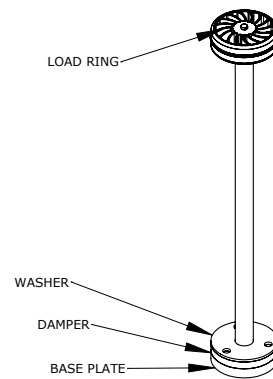
FlexCore Bollard

INSTALLATION INSTRUCTIONS



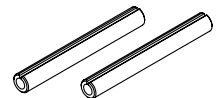
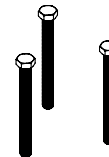
**CORE
ASSEMBLY**

**FLEXCORE
SHELL**



**CONCRETE
ANCHORS**

**LOCKING PIN
(ENLARGED 10x)**



In the Box

- 1 x FlexCore Shell
- 1 x Core Assembly
- 3 x Concrete Anchors
- 2 x Locking Pins

Tools Required

- Electric Impact Drive
- $\frac{13}{16}$ " Socket
- Hammer Drill
- $\frac{1}{2}$ " Diameter Carbide Bit
- Hammer
- Tape Measure
- Pliers
- Pencil
- Vacuum

IMPORTANT:

Read all instructions before installing product.

It is critical that holes are drilled on center.

For concrete installation only - NO ASPHALT!

Minimum of 4000 psi compression strength

Minimum of 3-inch thick concrete.

Carefully remove the bollard components from the box.

Note that the Core Assembly and hardware are inside the FlexCore Shell and the locking pins are taped to the outside of the shell .

Do not disassemble the Core Assembly.

Questions? Call McCue Customer Care at 800.800.8503

©2014 McCue Corporation, 13 Centennial Drive Peabody, MA 01960, USA. Rev 5/14

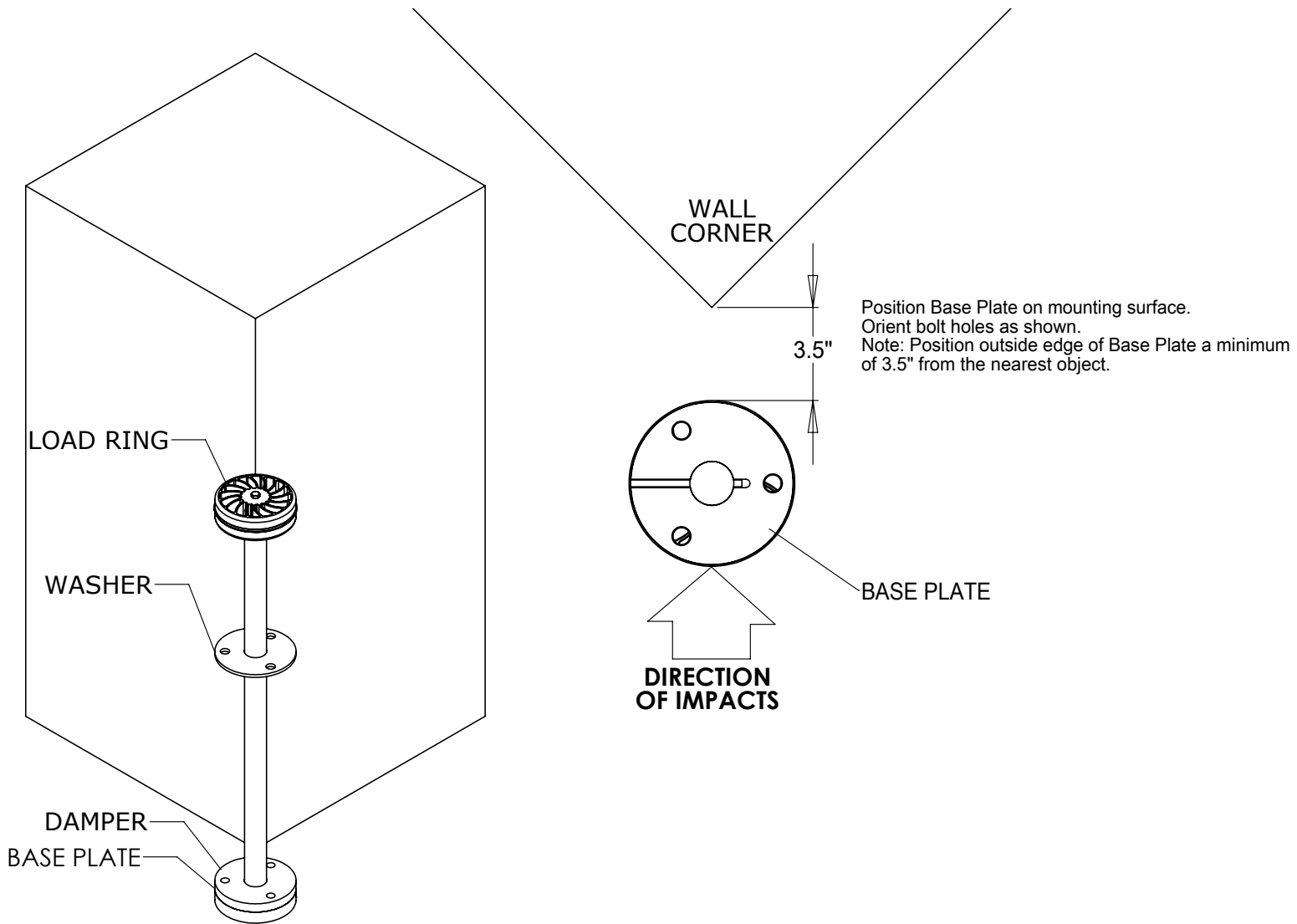
www.mccue.com

1 Layout

Position Base Plate on the concrete mounting surface. Orient bolt holes as shown.

Note: Position outside edge of Base Plate a minimum of 3.5" from the nearest object.

The mounting surface should be flat, without cracks or chips, and be free of debris.



2 Marking & Drilling

Use Base Plate as a template to mark three holes on concrete, then move the base plate to expose marks.

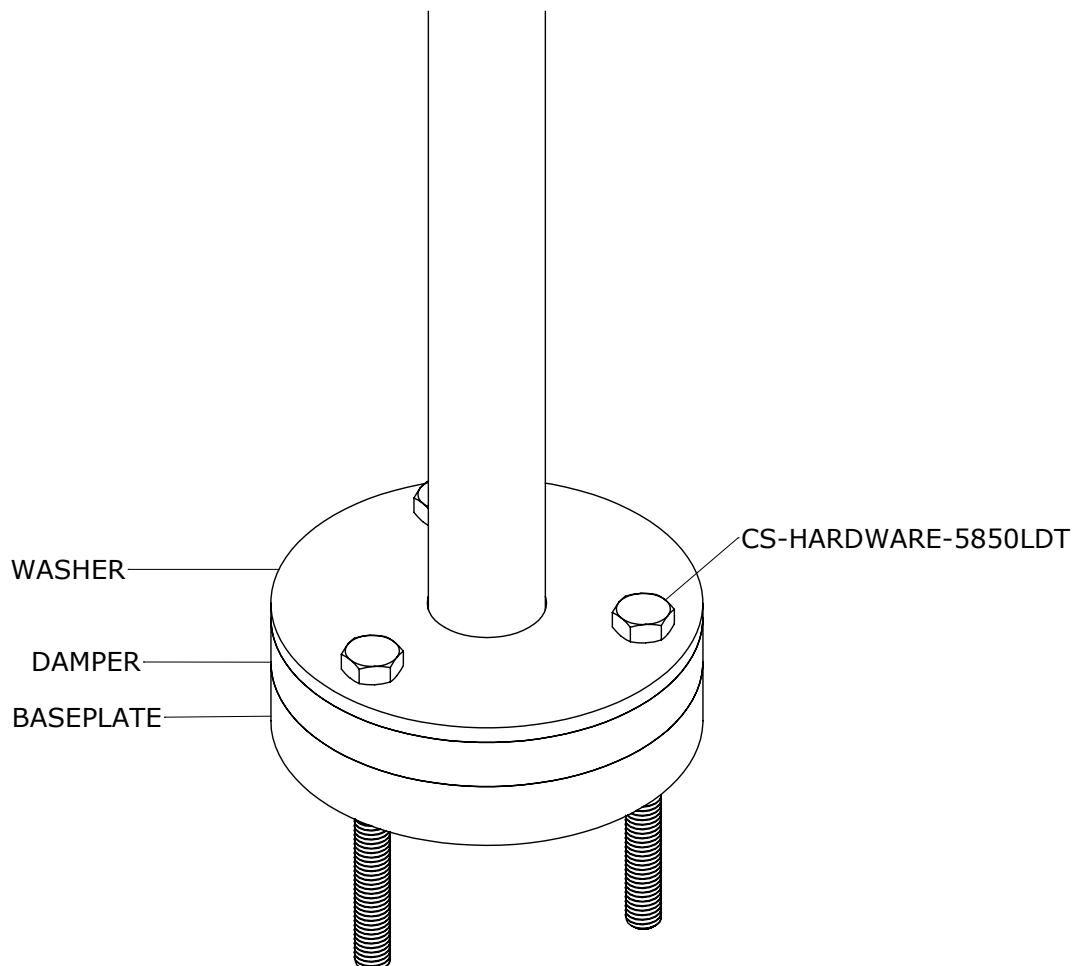
Use a ½" diameter carbide bit hammer drill to drill three pilot holes into the concrete. Drill holes a minimum of 4" deep. Vacuum all debris from the holes and surface after drilling.

3 Installing Core Assembly

Use an impact driver with a 13/16" socket to drive the supplied concrete anchors through the Base Plate, washer and damper into the concrete surface. Be sure all three anchors are partially installed before tightening them fully against the Base Plate.

DO NOT OVER TIGHTEN!

The Base Plate assembly should now be rigidly fixed to the surface.



4 Install Shell

The final step is to slide the plastic FlexCore Shell over the Core Assembly.

CAREFUL: The FlexCore Shell is heavy and must be lowered with caution.

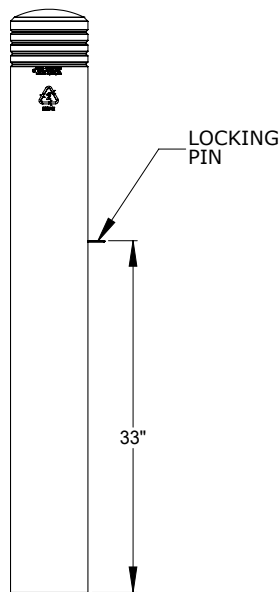
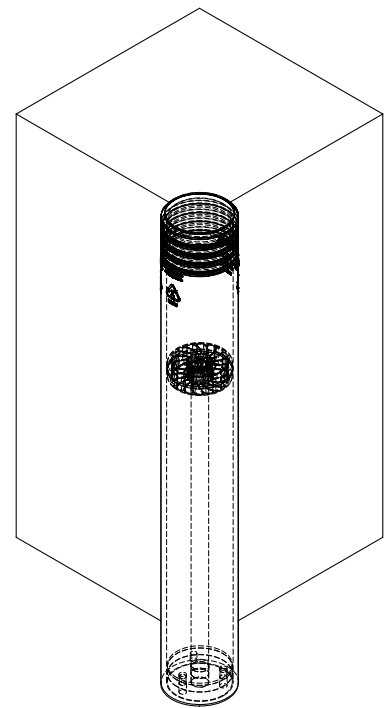
Ensure that the Base Plate, Damper and Washer all fit within the Shell and that the bottom of the shell rests flush with the concrete surface.

5 Lock Shell (optional)

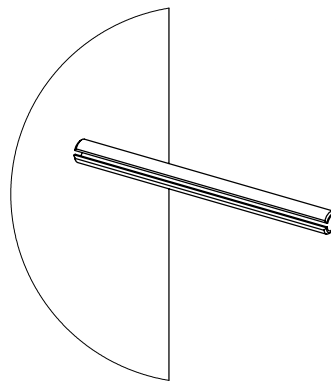
If it is desired to lock the Shell in place to help prevent theft, two Locking Pins have been supplied.

To install, simply hammer the pins into the Shell exactly 33 inches from the mounting surface. Insert a pin on each side of the shell and hammer until flush. No drilling is necessary, but pliers are suggested to hold the pin in place while hammering.

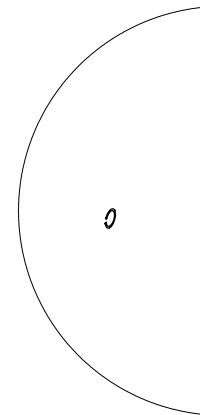
Double check that the Shell cannot be removed by lifting it off the surface about 1.5 inches.



BEFORE INSTALLATION



AFTER INSTALLATION



6 Relocation or Replacement

Should bollard need to be relocated or replaced, simply disengage the pins by hammering them through the Shell using a screwdriver or similar, then remove shell and back out anchors with an impact driver.