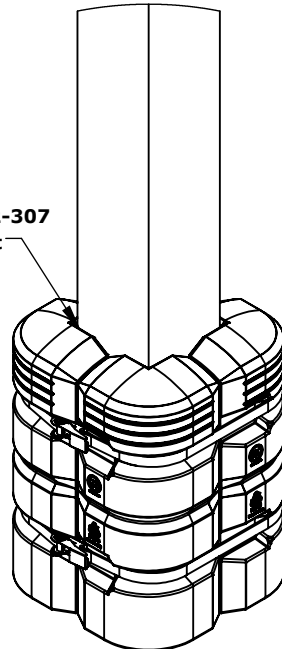
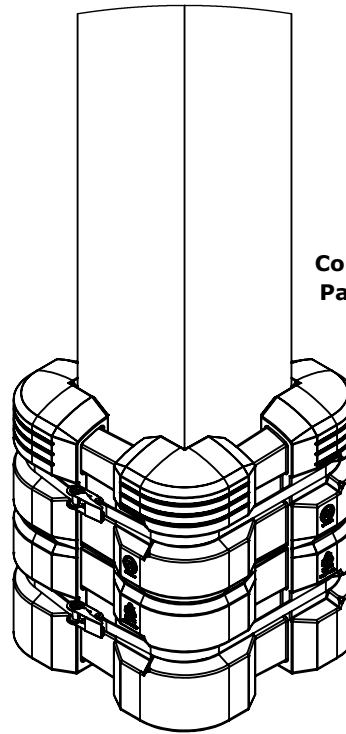


**Column Guard Kit**  
**Part #: CG-K-SM812-307**  
**Standard 4 Piece Kit**

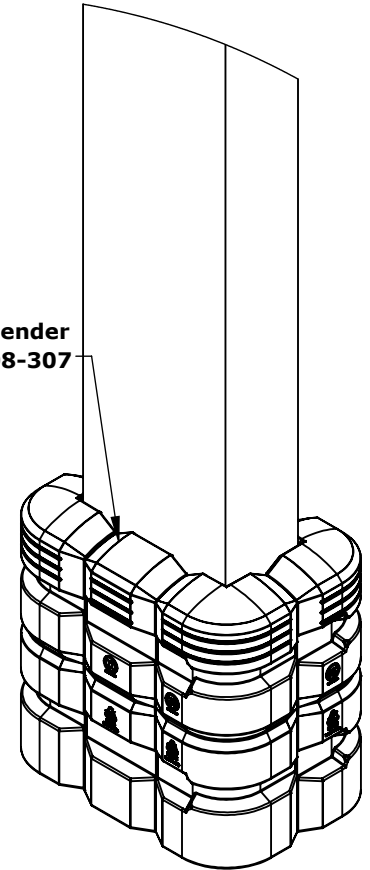


**Column Guard**  
**Minimum Column Size**  
**[200mmx200mm]**

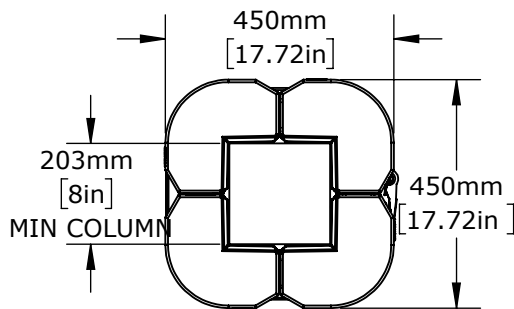


**Column Guard**  
**Maximum Column Size**  
**[300mm x 300mm]**

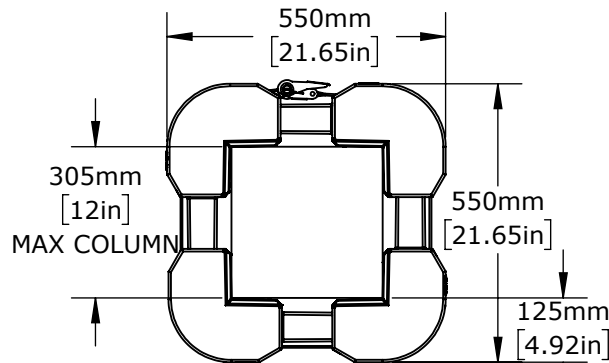
**Column Guard Extender**  
**Part#:CG-C-SM008-307**



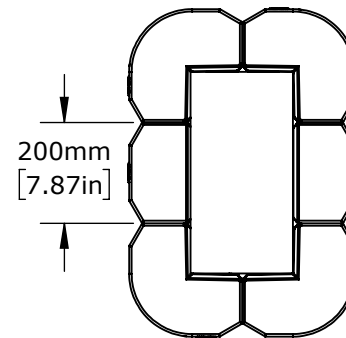
**Column Guard**  
**Minimum Column Size**  
**[200mm x 200mm]**



**Top View**




**Top View**



**Top View**  
**with 200mm Extender**

**PROPRIETARY-CONFIDENTIAL:** This document contains information proprietary to McCue Corporation. This information is not to be used in any way, disclosed to others or reproduced, in whole or in part, except as expressly authorized in writing by McCue Corporation. Any reproduction of this document, in whole or in part, must include this notice.

<b>24inColumn Guard Customer Drawing</b>	
 <b>McCue</b>	
Peabody, MA 01960, USA +1 (800) 800 8503 <a href="mailto:customer@mc cue.com">customer@mc cue.com</a>	
Milton Keynes, United Kingdom +44 (0)1908 365 511 <a href="mailto:uksales@mc cue.com">uksales@mc cue.com</a>	
Xiamen, Fujian, China +86-592-2200790	
<a href="http://mccue.com">mccue.com</a> 